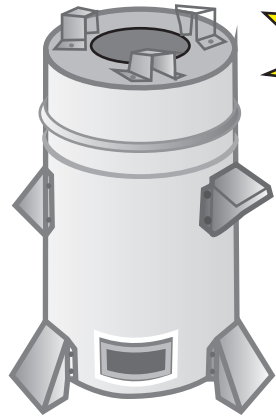


Users Manual

A Stove That will Better Your Life!

Mwoto Stove



Saves Money!

FUELS

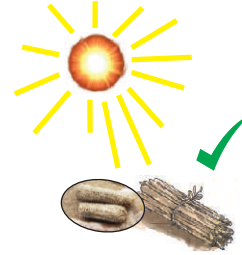
1



Dry wood.



Dry maize cob.

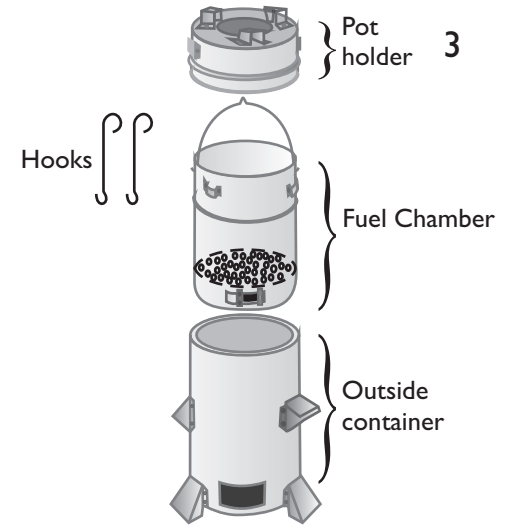


2

The wood and maize cob should be dry and the wood should not have the bark.

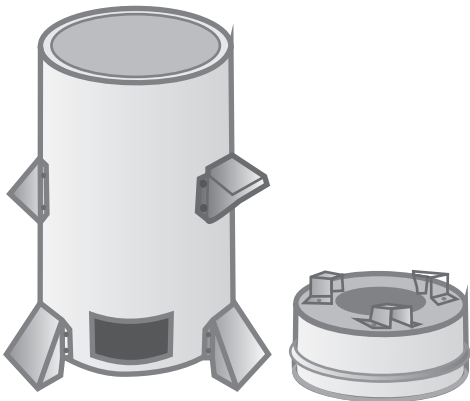


Avoid to expose the wood and maize cob during rainy seasons.



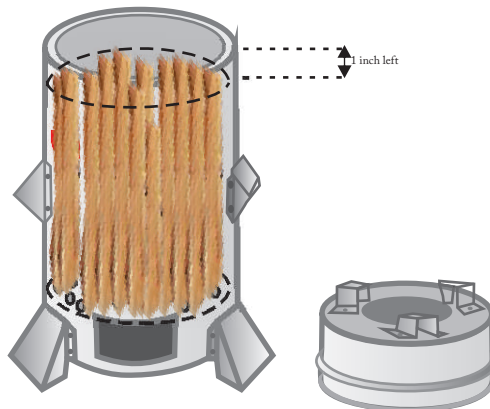
The stove is assembled like this.

4



Put off the lid, before putting the wood in the stove.

5



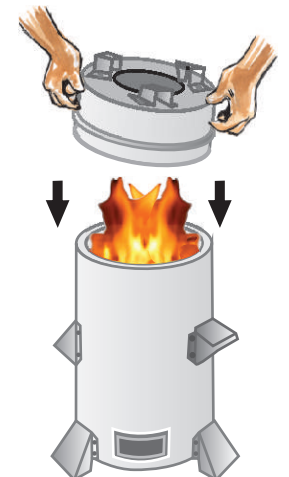
How wood is packed in the stove.

6



Light paper to light the stove.

7

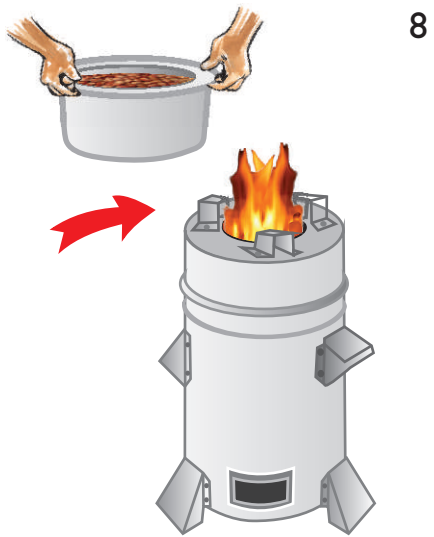


Put back the top lid.

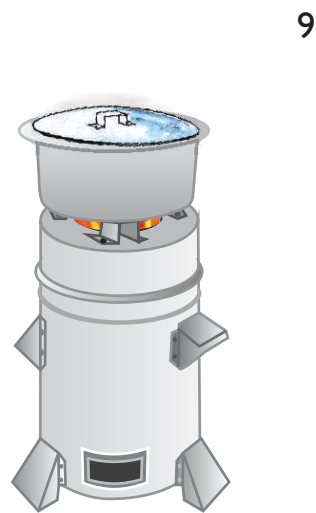
- 🔥 Makes charcoal
- 🔥 Uses Less Fuel e.g dry wood, dry maize cob
- 🔥 Cooks much faster
- 🔥 Gives Off Less Smoke

Users Manual

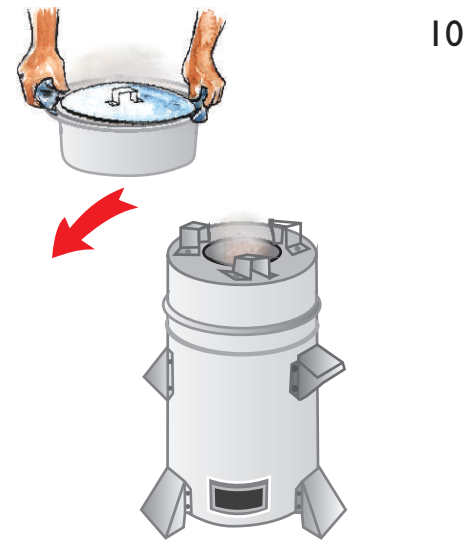
Mwoto Stove



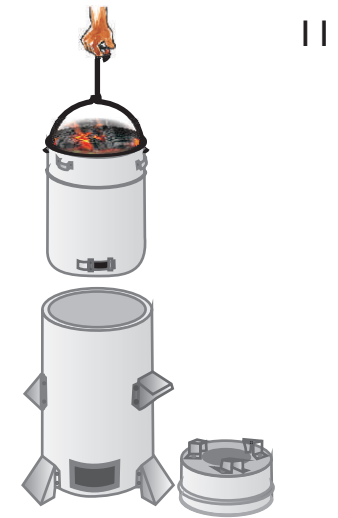
Place what you want to cook on the lid.



Cook until the flames stop.



Take off your food when the flames stop.



Use the hook carefully when removing the hot charcoal.



Use the hooks to pour the hot charcoal on the charcoal stove or on the ground.



Cover the charcoal for about 10 minutes with the sauce pan to stop it from burning.



Remove the sauce pan to get the charcoal.



Charcoal is ready for use.